

Date: \_\_\_\_\_

Company Name: \_\_\_\_\_

Customer #: \_\_\_\_\_

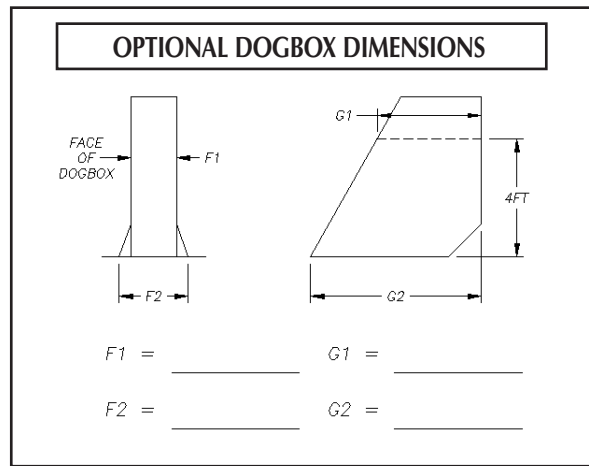
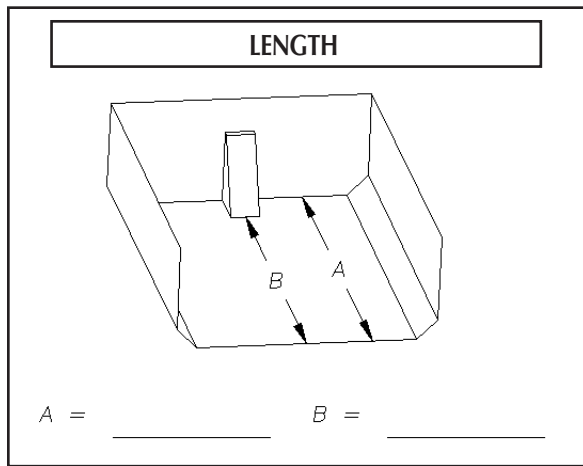
Address: \_\_\_\_\_

City: \_\_\_\_\_

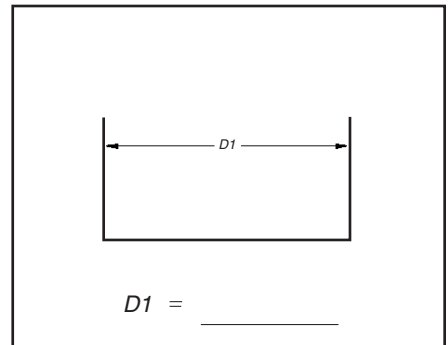
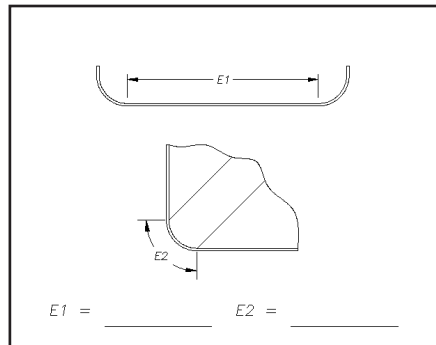
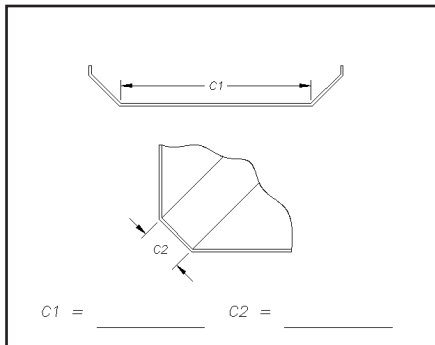
State: \_\_\_\_\_ Zip: \_\_\_\_\_

Phone: \_\_\_\_\_ Fax: \_\_\_\_\_

Contact: \_\_\_\_\_ Order#: \_\_\_\_\_



**SELECT APPROPRIATE BODY SHAPE BELOW**



**INDIANAPOLIS, IN**  
3010 West Morris St.  
Indianapolis, IN 46241  
800-535-9545  
FAX: 317-244-1311

**OMAHA, NE**  
I-80 & Highway 50 South  
Omaha, NE 68137  
800-535-8552  
FAX: 402-895-6129

**SHOEMAKERSVILLE, PA**  
1051 Shoemaker Ave.  
Shoemakersville, PA 19555  
800-535-3665  
FAX: 610-562-0340

**STREETSBORO, OH**  
8540 State Route 14  
Streetsboro, OH 44241  
888-237-2262  
FAX: 330-626-3277

**BURLINGTON, ON**  
3474 Mainway Drive  
Burlington, ON L7M 1A8  
800-465-8277  
FAX: 905-335-8499